

The robust tree shear is ideal for cutting trees or shortening bushes and are ideal for excavators with up to 8t / 17,600lbs operating weight.

The optional gripper has been designed to cut more material with one cut in light wood by bundling e.g. thin bushes.

- ▷ **Low self-weight.**
- ▷ **Robust design** (cutting knives made of 500HB steel).
- ▷ **High cutting performance.**
- ▷ **Low wear** due to the use of high quality fine-grained steel.
- ▷ **Transporting eye** close to centre of gravity for loading **included.**
- ▷ **Optional KTC08 Gripper:** can be installed or removed quickly and easily. Collecting finger is opened at closed main arm/cutting arm, it is then sliding along the already gripped wood thanks to its spring-loaded flap/arm; afterwards it pops back completely due to the used spring. The already cut wood can now be secured by closing the collecting finger and the main arm can be opened for the next cut.



Tree Shear KTC08

Type	Operating weight (t/lbs)	Height max. (mm/in)	Width open - close (mm/in)	Cutting force max. @25 MPa / 3,620psi (kN/lbf)	Diameter softwood (mm/in)	Diameter hardwood (mm/in)	Weight (kg/lbs)
KTC08	< 8 / 17,600	460 / 18.1	860-920 / 33.8-36.2	163 / 35,860	270 / 10.6	210 / 8.2	225 / 495

Package consists of: tree shear

Gripper for KTC08

Type	Height max. (mm/in)	Width open - close (mm/in)	Clamp force max. @25 MPa / 3,620psi (kN/lbf)	Diameter softwood (mm/in)	Diameter hardwood (mm/in)	Weight (kg/lbs)
KTC08 Gripper	215 / 8.4	770-665 / 30.3-26.1	8.5 / 1,870	< 20 / 0.7	150 / 5.9	78 / 171.6

Package consists of: gripper for KTC08

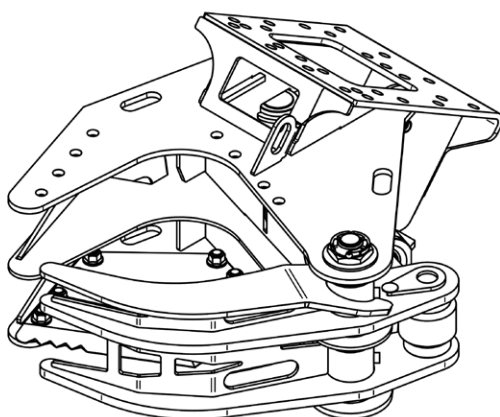
Accessories

Type	Description
KM 690 8t	adapter for rigid mounting - up to 8t/17,600lbs
KM 691 8t	adapter plate for specific solutions - up to 8t/17,600lbs
KSW03 rigid	bolt-on adapter for system L-Lock KMS03L/KHS03L for rigid mounting - up to 6t/13,200lbs
KSW08 rigid	bolt-on adapter for system L-Lock KMS08L/KHS08L for rigid mounting - up to 12t/26,400lbs
OQ45/4 rigid	bolt-on adapter for Oilquick OQ45 - up to 12t/26,400lbs
	adapters for quick change systems from other manufacturers or different sizes on request

Requirements of carrier machine

Operating pressure max. (open/close):	250 bar / 3,620 psi
Oil flow (open/close):	40 - 80 l/min / 10.5 - 21 GPM
Cycle times:	open: 1.3 sec. / close: 1.8 sec.

Technical drawing



KTC08 with gripper module



KTC08 Gripper module single