

Rock grab with the low maintenance *HPXdrive* for compact excavators up to 6t / 13,200lbs and 9t / 19,800lbs operating weight to position natural rocks, curb stones etc.

- ▷ ***HPXdrive*** – the revolutionary concept for hydraulically operated grabs! The rotation of the arms of the grab is generated by two hollow shafts, which run opposed and have a helix thread, hydraulically driven by a single piston. **No hydraulic cylinder required!**
- ▷ **50% longer life cycle.** The drive unit runs in a permanent oil bath, so no lubrication necessary. Resistant against dirt and blows, due to the compact design.
- ▷ **Constant closing force** during the entire operation.
- ▷ Different applications possible thanks to easy **shell exchange system.**



R08HPX

Rock Grabs R05HPX/ R08HPX

Type	Width	Volume	Opening	Height	Gripping range	Weight	Load capacity	Closing force	Operating weight
	E (mm/in)	(m ²)	A (mm/in)	C min. - max. (mm/in)					
R05HPX-0,16	405 /	0.16 /	1,210 /	780 - 1,000 /	170 /	220 /	1,000 /	18 /	3 - 6 /
	15.9								
R08HPX-0,16	405 /	0.16 /	1,210 /	795 - 1,005 /	170 /	230 /	1,000 /	18 /	5 - 9 /
	15.9								

Package consists of: rock grab, **KINSHOFER** rotator, hose guard and non-return valve

KINSHOFER Rotator

Integrated in a single unit with the *HPXdrive*, no more connecting hoses. Continuous rotation. Overload protection ensured by pressure relief valves.

Type	Upper dimension (width x pin-Ø) (mm/in)	Torque (Nm/ft.lbs)	Bending moment max. (Nm/ft.lbs)
R05HPX: KM 04 F140-30VE	84 x 30 / 3.3 x 1.1	850 / 630	3,000 / 2,215
R08HPX: KM 04 F140-30USE	84 x 30 / 3.3 x 1.1	1,000 / 740	8,500 / 6,270

Accessories

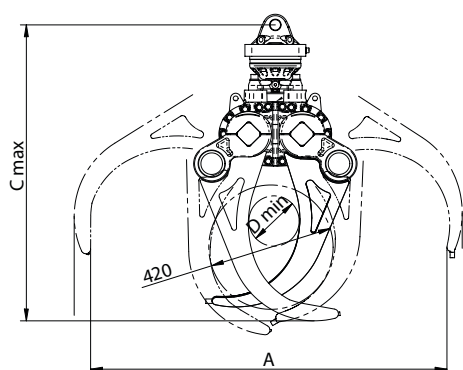
Type	Description
KM 501 1t-8t	upper suspension without pendulum damper
KM 511 1t-8t	upper suspension with pendulum damper
KM 510 1t-8t	single pendulum damper to upgrade the upper suspension KM 501 1t-8t/2,200-17,600lbs
KSW03 cardanic	adapter for system L-Lock KMS03L/KHS03L incl. cardan link excl. pendulum damper – up to 6t/13,200lbs
KSW03 cardanic-P	adapter for system L-Lock KMS03L/KHS03L incl. cardan link incl. pendulum damper – up to 6t/13,200lbs
KSW08 cardanic	adapter for system L-Lock KMS08L/KHS08L incl. cardan link excl. pendulum damper – up to 12t/26,400lbs
KSW08 cardanic-P	adapter for system L-Lock KMS08L/KHS08L incl. cardan link incl. pendulum damper – up to 12t/26,400lbs
KM 685 06E hook set 2	weld-on hooks (2 pcs.)

Requirements of carrier machine

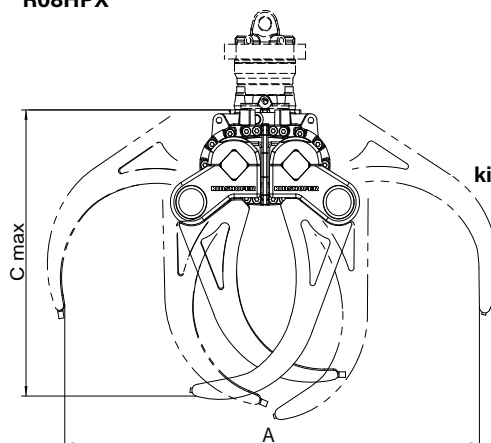
Operating pressure at pump capacity (open/close):	Operating pressure at pump capacity (rotate):
26 MPa (260 bar) at max. 75 l/min / 3,745 psi at max. 20 GPM	32 MPa (320 bar) at 15 - max. 50 l/min / 4,640 psi at 4 - max. 13 GPM
26 - 32 MPa (260 - 320 bar) at max. 40 l/min / 3,745 - 4,640 psi at max. 10.6 GPM	

Technical drawings

R05HPX



R08HPX



free extension
of warranty
kinshofer.com/service