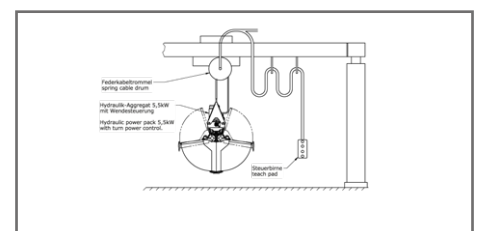
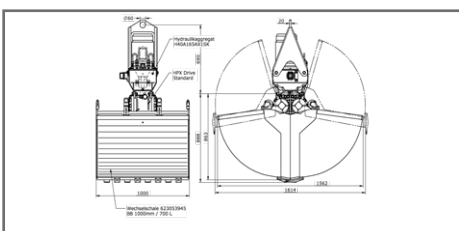
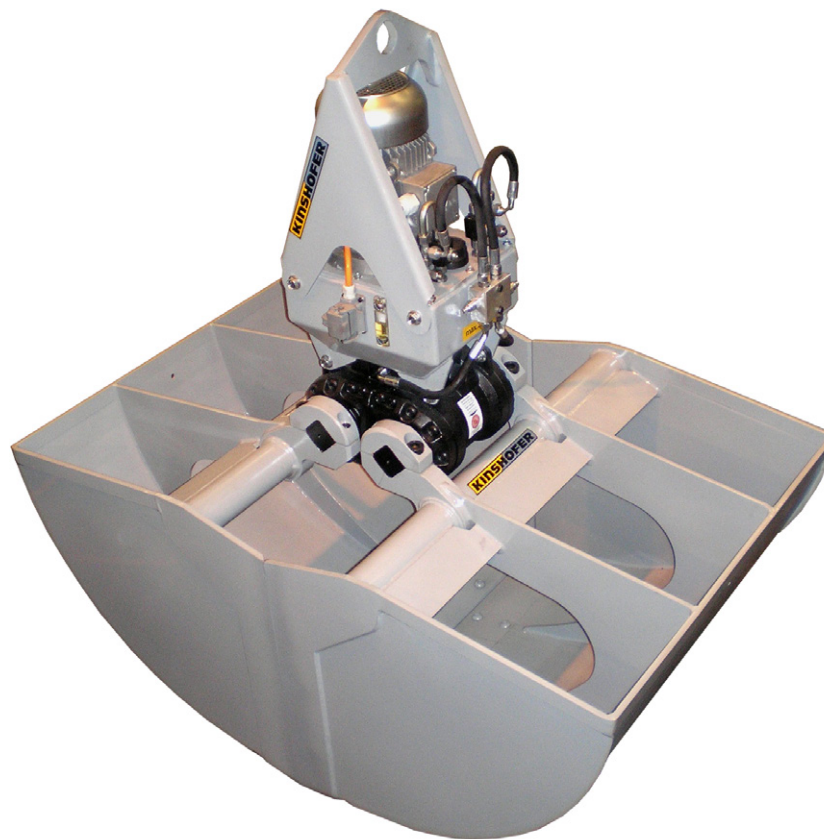




KINSHOFER
crane and excavator attachments

Hydraulic Aggregate with Turn Control KM 940-W

Special and Custom Solutions



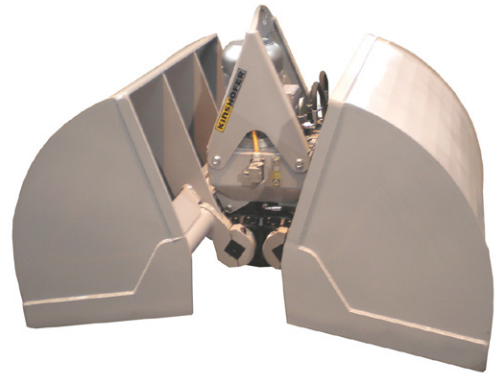
700042/2009

Hydraulic Aggregate with Turn Control and *HPXdrive*

The new grapple with the hydraulic aggregate KM 940-W with turn control for gantry cranes and HPXdrive Standard from **KINSHOFER** impresses with its special activation of the aggregate. Only by turning two bezels of the electrical connection of the electric motor, the motor turns one time to the left and one time to the right. Thereby the activated pump pumps into another direction respectively and thus opens or closes the grapple.

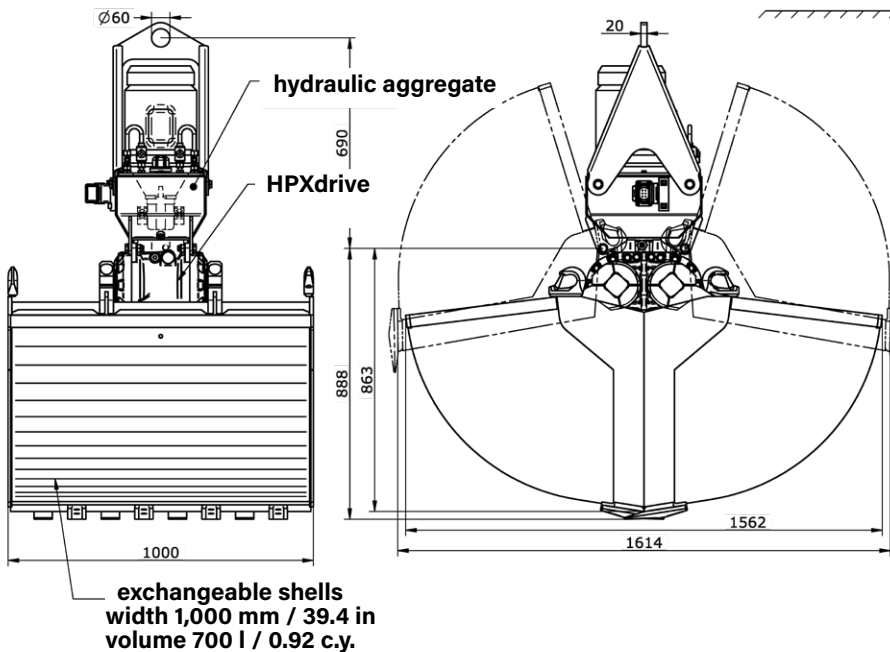
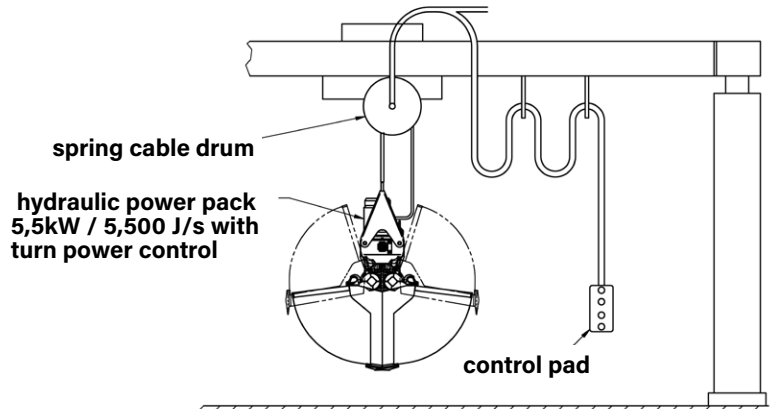
Thanks to the HPXdrive Standard the aggregate is maintenance-low.

The fast shell exchange is an additional feature.



TECHNICAL DATA AGGREGATE:

Operating pressure:	21 MPa (210 bar) / 3,024 psi
Pump capacity:	6.5 l/min / 1.7 GPM
Load capacity:	3,000 kg / 6,600 lbs
Tank volume max.:	18 l / 0.02 c.y.
Weight:	90 kg / 198 lbs
Motor:	5.5 kW / 5,500 J/s



We reserve the right to amend specifications without prior notice! **KINSHOFER** GmbH, D-83607 Holzkirchen, Germany

KINSHOFER Branches

Headquarters Germany:
KINSHOFER GmbH
 Raiffeisenstrasse 12
 83607 Holzkirchen
 Germany
 Tel.: +49 (0) 8021 88 99 0
 Email: info@kinshofer.com
 www.kinshofer.com



KINSHOFER is an
 ISO 9001 certified Company.
 DVS ZERT is a registered trademark
 of DVS ZERT e.V., Düsseldorf.

